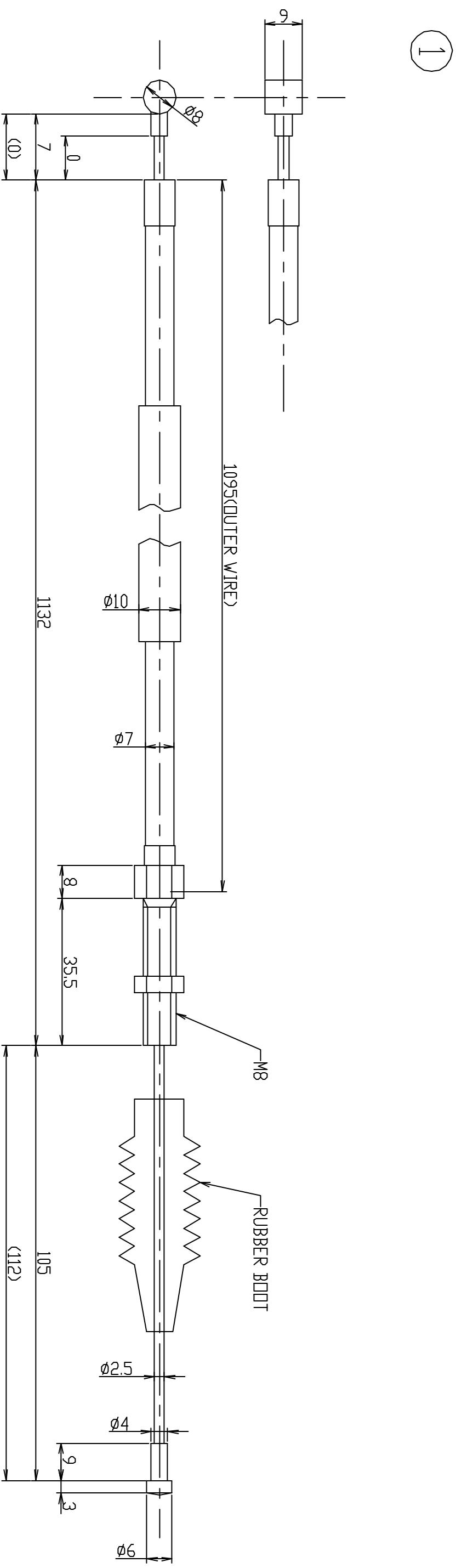


PLAN RECORD			
REV.	REMARKS	DATE	APPROVED



MARK	DESCRIPTION	MATERIAL	QTY	PER PIECE	TOTAL	REMARKS
1	WIRE ASSY	-	1			

TITLE					
XS1 FRONT BRAKE WIRE					

GENERAL MANAGER	SENIOR MANAGER	MANAGER	APPROVED	CHECKED	DRAWN
T.Mitsuyasu				A.Shin	
SCALE	S=1/1	DATE	2006.04.23	DRAWING No.	0604002
HAHAHA MOTOR				SPECIFIED No.	256-26341-00